



Quick Start Guide

pE-800 Series: pE-800 and pE-800^{fura}

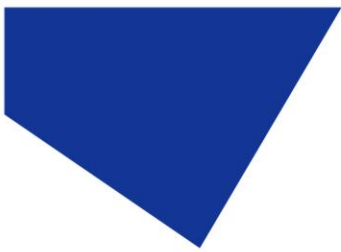
8-channel LED illumination



This guide provides basic information on the setup and operation of the CoolLED pE-800 Series Illumination Systems.

Before operating these products, please read and observe the advice given in the safety section of the full User Manual.

For more detailed information on the full range of options and functions please see the full User Manual.

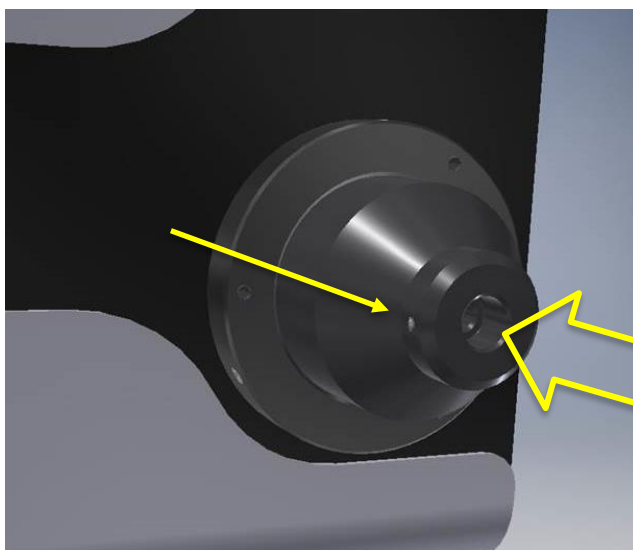


1. Contents



A typical pE-800 Series order will include a pE-800 Series Light Source, Power Supply and Mains Power Cable for the specified region of use.
Your order may also include items such as a Liquid Light Guide, pE-Universal Collimator (pE-800), pE-UV Universal Collimator (pE-800^{ura}), Microscope Adaptor or additional accessories. For further information about any of these components please see the full pE-800 Series User Manual or the pE-Universal Collimator User Manual.

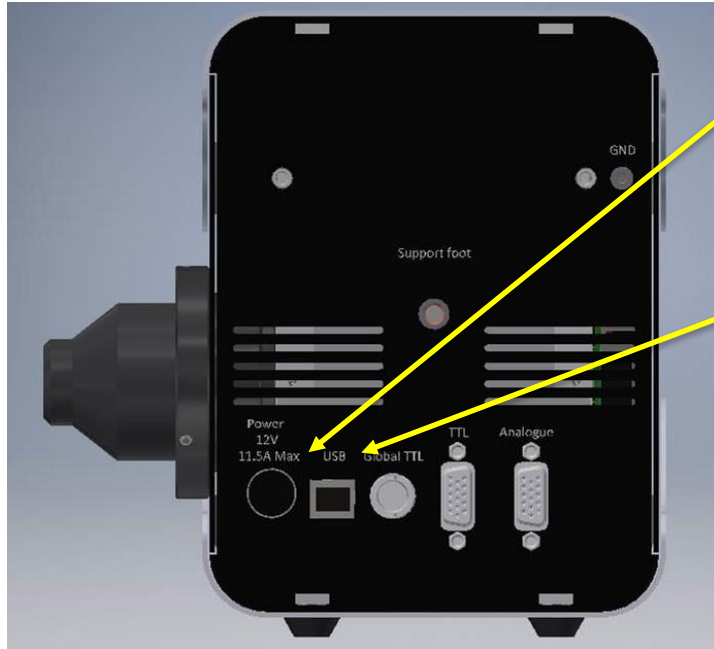
2. Fitting the Light Guide to the pE-800 Series Light Source



Remove the protective caps from the light guide and insert one end fully into the Light Source. Ensure that the grub screw is fully loosened to avoid any obstruction.

Once fully inserted, gently tighten the grub screw to secure the light guide in place.

3. Connecting the Power Supply & USB cable

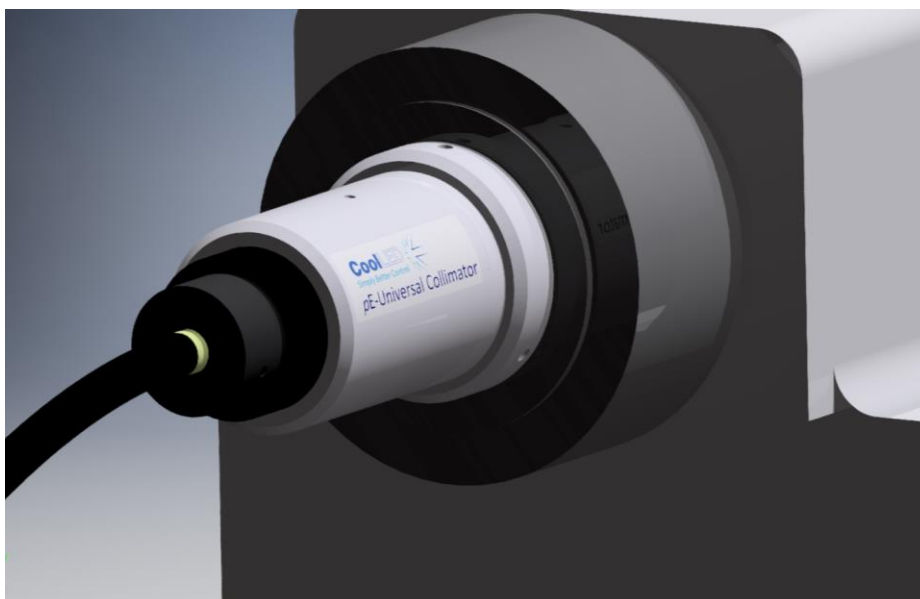


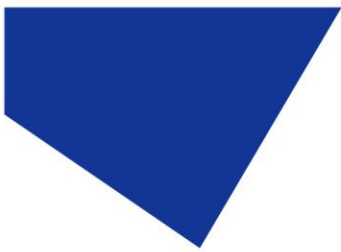
Insert the power supply connector into the Light Source. Ensure that the connector is correctly oriented, with the flat of the connector casing facing up.

Insert the USB cable into the Light Source. Ensure that the connector is correctly oriented, with the top side of the USB connector casing facing up.

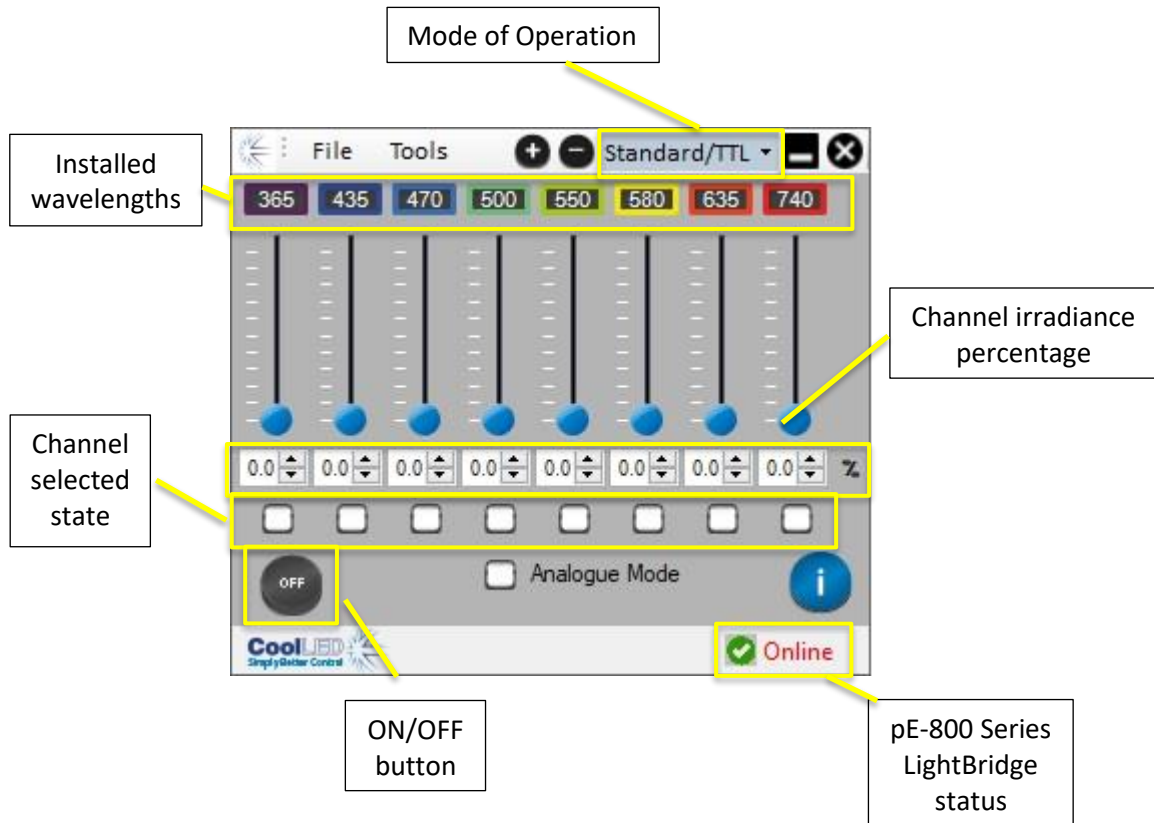
4. Fitting to the Microscope

Attach the light guide to the microscope, either directly or using appropriate collimating optics. If using the CoolLED pE-Universal Collimator or pE-UV Universal Collimator, please see the User Manual for full details of attaching to the microscope and optimising the light output.





5. LightBridge Operation Overview



The LightBridge allows the full control of the pE-800 Series Illumination System. The above example shows the installed wavelengths of a pE-800 SB model, and these will differ if you have a pE-800 MB model or pE-800^{fura} model. Any of the eight installed channels can be operated at the same time.

The irradiance level for each of the channels can be adjusted by typing in the textbox, using the arrow buttons next to the irradiance figure or by adjusting the irradiance slider.

To operate the channels, they must be put into a selected state by clicking in the relevant checkbox.

Clicking on the ON/OFF button will cause any channel in the selected state to illuminate at the defined irradiance.

Advanced features such as saved pre-sets and Sequence Runner can also be accessed through The LightBridge, and please see User Manual for more information.