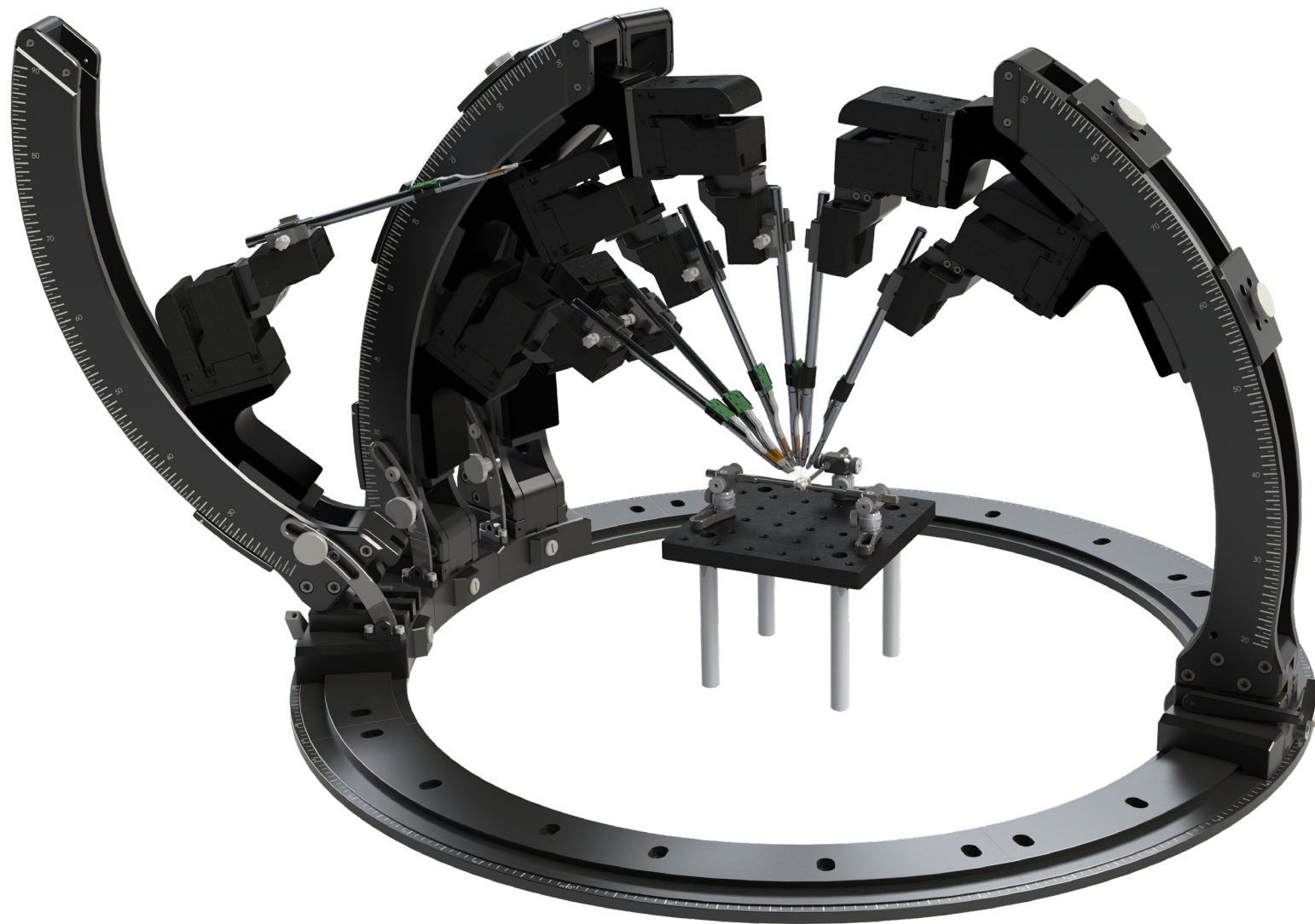




SENSAPEX

**Complete rig for easy multiprobe In vivo recordings**

*SENSAPEX*





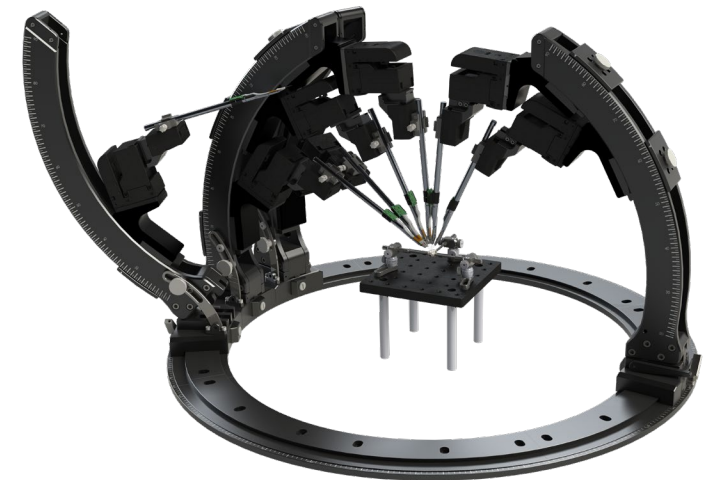
# Reliable recordings (for example Neuropixels) with proven Sensapex repeatability and stability

- Easy and reproducible positioning of over 25 probes.
- Automated, smooth insertion at adjustable speeds down to 1  $\mu\text{m}$  per second for improved tissue health
- Python interface and SDK for easy automated control - with atlas support through Pinpoint software
- Angles from vertical to near horizontal with rotation centered on the brain
- Easy access to each probe even at tight spacing – quick exchange without risking breakage
- Quick adjustment of angles thanks to easy-to-read scales



# uMp-RNG and uMp-ARM

- Stable and reproducible positioning of e.g. Neuropixels probes
- All angles, including “spin” of the probe can be adjusted
- Azimuth ( $\phi$ ) and altitude ( $\theta$ ) rotate centered on the brain
- Ring segments can be used individually or as a complete ring
- Flip-action allows easy access to all probes
- Space for mounting a floating ball or treadmill in the center



# Spinning probe holders

- Locks into adapted rod holder on uMp-3 NP
- Can be combined with NP1 or NP2 holders
- Available with spin adjustment
- Provides secure mounting of NP probes



# uMp-3-NP



uMp-3-NP



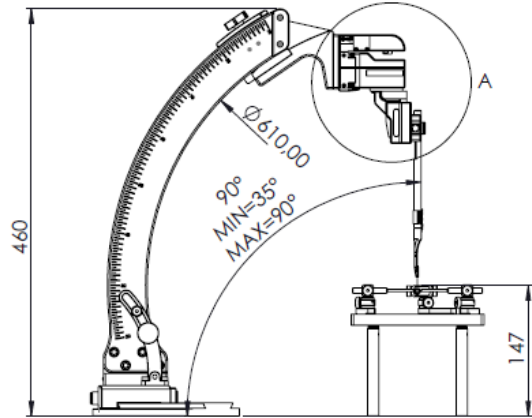
uMp-3



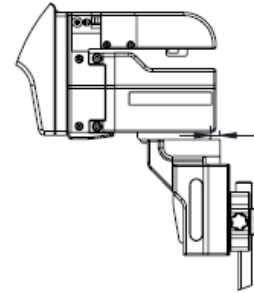
uMp-4

- Current uMp-3 and uMp-4 are not compatible with the rig  
→ Can be modified in Sensapex Oy service. Ask for the price!

# Dimensions (mm)

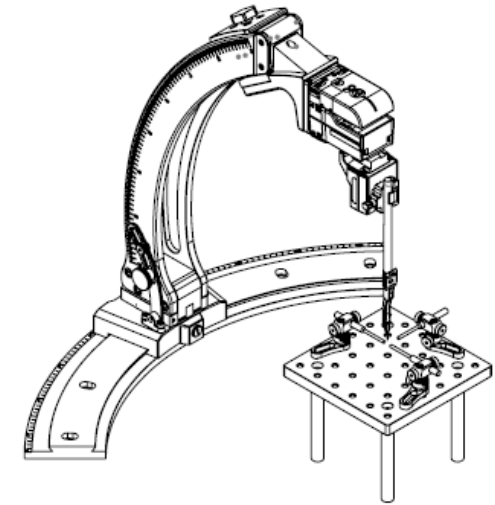
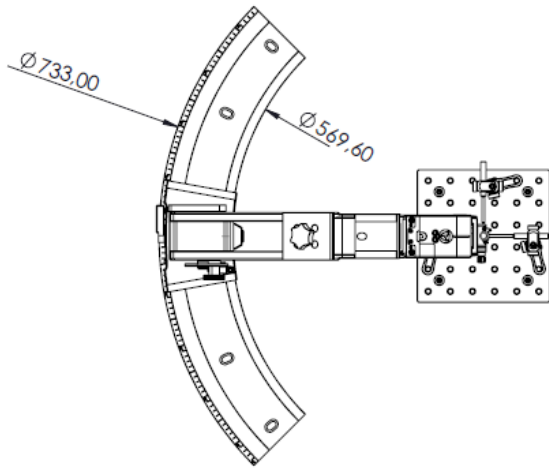


DETAIL A  
SCALE 2 : 5



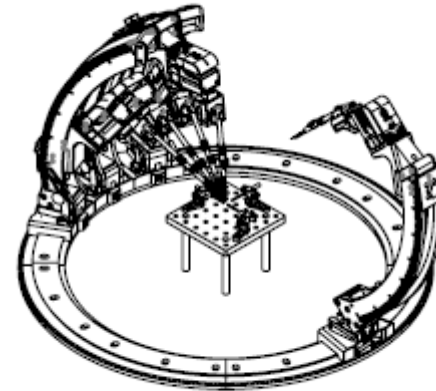
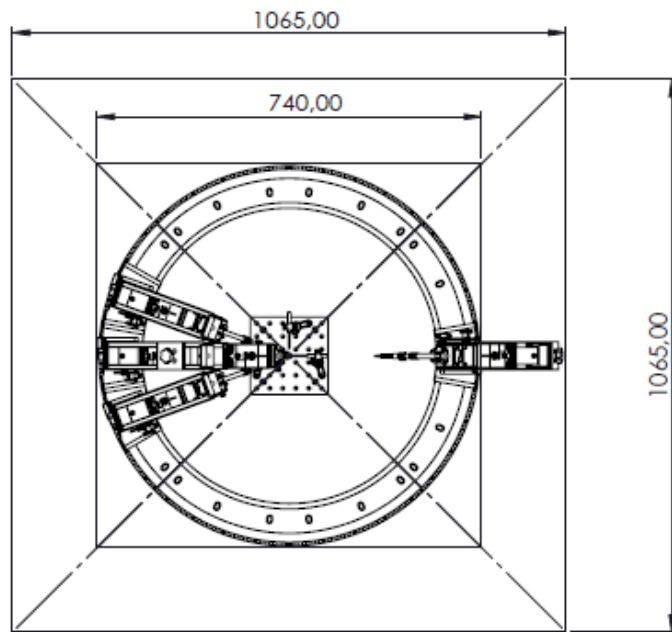
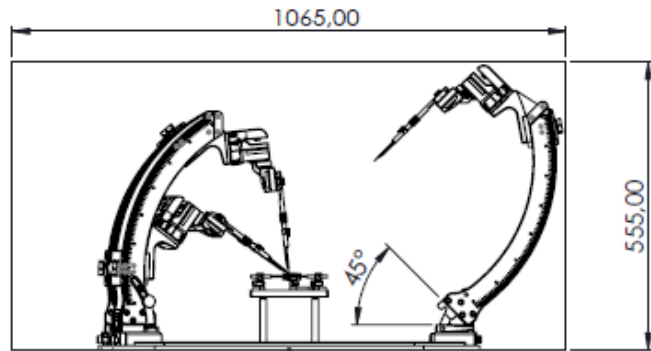
Probe nominally at center:  
Manipulator axes in center position,  
Rod fully extended,  
X-axis adapter dovetail offset as below.  
Note: for best accuracy adjust probe  
to center with manipulator.

4,6  
Dovetail offset

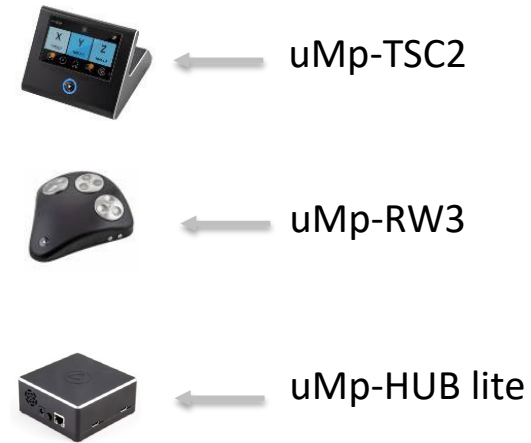
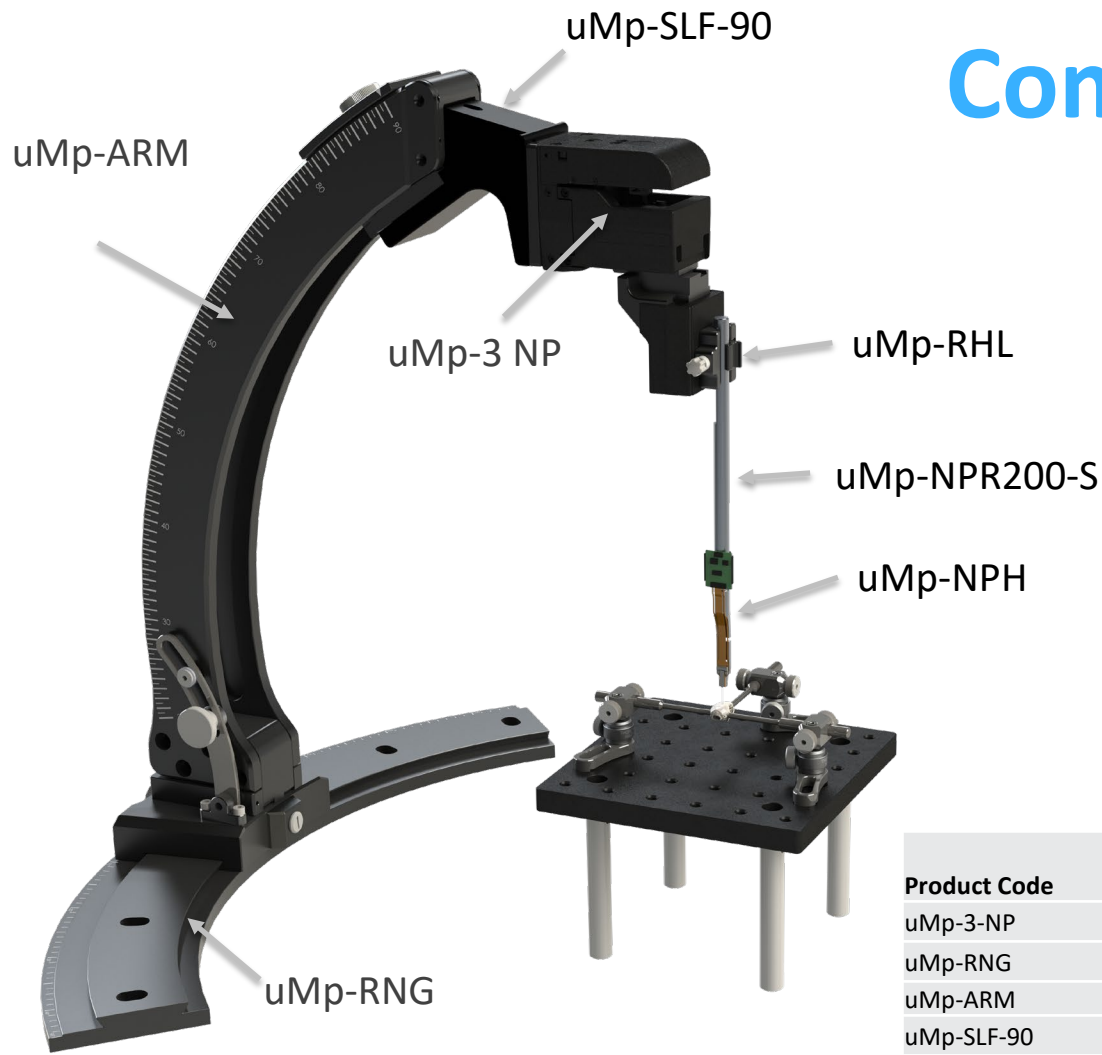




# Dimensions (mm)



# Complete rig for 1 manipulator



Product Code	Description	Qty
uMp-3-NP	Triple axis manipulator for in vivo rig Neuropixel	1
uMp-RNG	90 deg ring stand to mount arm on the table	1
uMp-ARM	Arm to hold micromanipulator in adjustable angle	1
uMp-SLF-90	90 degree shelf for uMp-3-NP manipulator	1
uMp-TSC2	Touch screen control unit incl. charger and ethernet cable. Pairs with uMp-HUB lite.	1
uMp-HUB lite	Connecting HUB for connecting 4 manipulators, rotary wheel and PC. Includes charger.	1
uMp-RW3	Rotary wheel remote interface with 3 wheels	1
uMp-RHL	Adpter for holding rods with 4-10 mm OD rods/holders	1
uMp-NPR-200-S	Spin adjustable rod to hold uMp-NPH-S or uMp-NPH-2s adapters (200 mm total length)	1
uMp-NPH-S *	Adapter head for Neuropixel V1.0 probes with head-stage holder and for spin adjustment	1

\* alternatively uMp-NPH-2S Adapter head for Neuropixel V2.0 probes with head-stage holder and for spin adjustment

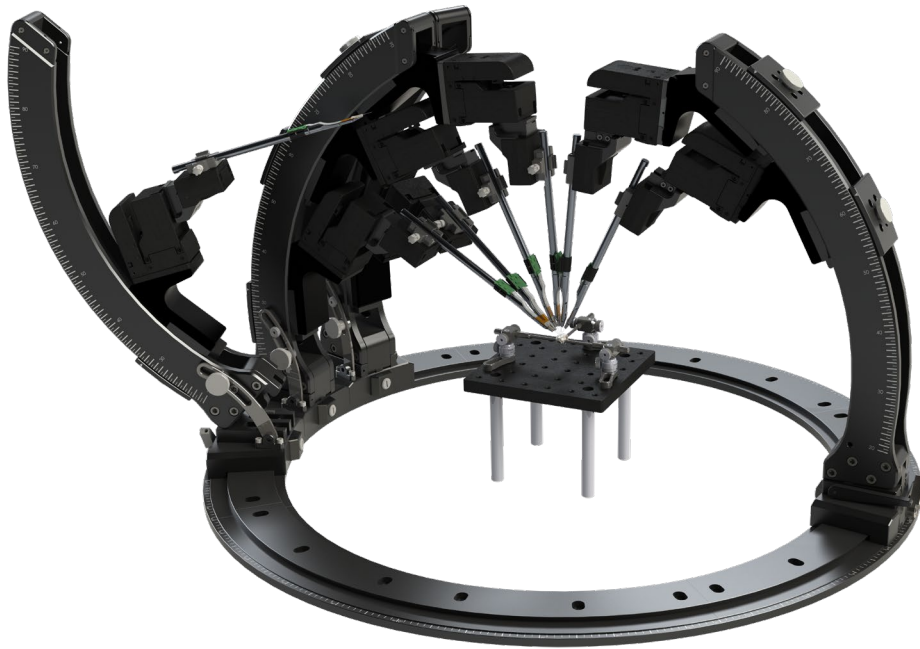
# Complete rig for 2 manipulator



Product Code	Description	Qty
uMp-3-NP	Triple axis manipulator for in vivo rig Neuropixel	2
uMp-RNG	90 deg ring stand to mount arm on the table	2
uMp-ARM	Arm to hold micromanipulator in adjustable angle	2
uMp-SLF-90	90-degree shelf for uMp-3-NP manipulator	2
uMp-TSC2	Touch screen control unit incl. charger and ethernet cable. Pairs with uMp-HUB lite.	1
uMp-HUB lite	Connecting HUB for connecting 4 manipulators, rotary wheel and PC. Includes charger.	1
uMp-RW3	Rotary wheel remote interface with 3 wheels	1
uMp-RHL	Adapter for holding rods with 4-10 mm OD rods/holders	2
uMp-NPR-200S	Spin adjustable rod to hold uMp-NPH-S or uMp-NPH-2s adapters (200 mm total length)	2
uMp-NPH-S*	Adapter head for Neuropixel V1.0 probes with head-stage holder and for spin adjustment	2

\* alternatively uMp-NPH-2S Adapter head for Neuropixel V2.0 probes with head-stage holder and for spin adjustment

# Complete rig for 4 manipulator



Product Code	Description	Qty
uMp-3-NP	Triple axis manipulator for in vivo rig Neuropixel	4
uMp-RNG	90 deg ring stand to mount arm on the table	4
uMp-ARM	Arm to hold micromanipulator in adjustable angle	4
uMp-SLF-90	90-degree shelf for uMp-3-NP manipulator	4
uMp-TSC2	Touch screen control unit incl. charger and ethernet cable. Pairs with uMp-HUB lite.	1
uMp-HUB lite	Connecting HUB for connecting 4 manipulators, rotary wheel and PC. Includes charger.	1
uMp-RW3	Rotary wheel remote interface with 3 wheels	1
uMp-RHL	Adpter for holding rods with 4-10 mm OD rods/holders	4
uMp-NPR-200S	Spin adjustable rod to hold uMp-NPH-S or uMp-NPH-2s adapters (200 mm total length)	4
uMp-NPH-S*	Adapter head for Neuropixel V1.0 probes with head-stage holder and for spin adjustment	4

\* alternatively uMp-NPH-2S Adapter head for Neuropixel V2.0 probes with head-stage holder and for spin adjustment

# Note!

- The same rig is good for ANY *in vivo* recording which can be mounted in micromanipulator – patch clamp or silicon probes.



SENSAPEX

**Thank you!**

