

CAMSCOP CMOS COULEUR 8.3Mpx

Camscop camera adopt SONY Exmor CMOS sensor as the image-picking device and USB3.0 is used as the transfer interface. Camscop hardware resolutions range from 1.5M to 45M and come with the integrated CNC aluminum alloy compact housing.

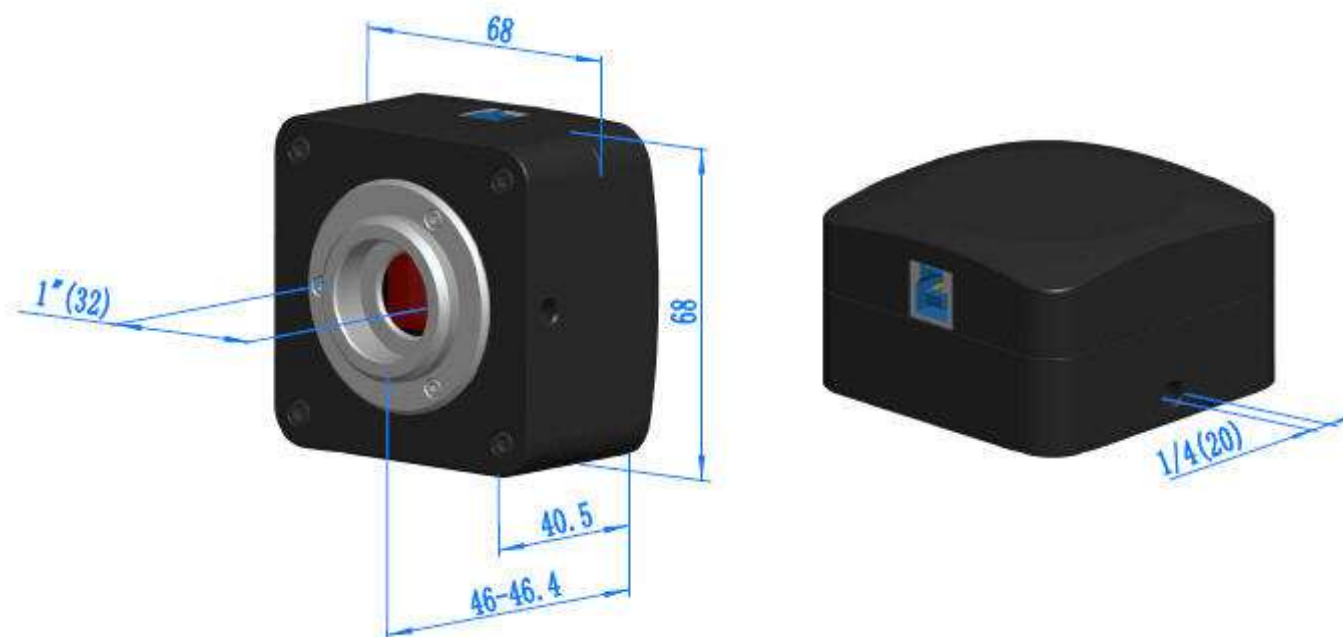
Camscop integrated with 12 bit Ultra-fine Hardware Image Signal Processor Video Pipeline (Ultra-fine™ HISPVP) for Demosaic, Adjustments, Automatic Exposition, Gain Adjustment, One Push White Balance, Chrominance Adjustment, Saturation Adjustment, Gamma Correction, Luminance Adjustment, Contrast Adjustment, Bayer and finally form RAW data for 8/12 bit output. This will move the heavier burden of the processing from the PC to the Ultra-fine™ HISPVP and greatly accelerating the processing speed.

Camscop comes with advanced video & image processing application ImageView;

Providing Windows/Linux/macOS/Android multiple platform SDK (Native C/C++, C#/VB.NET, Python, Java, DirectShow, Twain, etc)

The Camscop can be widely used in bright field light environment and microscope image capture and analysis with higher frame rate.

Sensor & Size(mm)	Pixel(μm)	G Sensitivity Dark Signal	FPS/Resolution	Binning	Exposure
8.3M/IMX585(C) 1/1.2"(11.14x6.26)	2.9x2.9	5970(mV/lx/s) 0.13mv with 1/30s	45@3840x2160 70@1920x1080	1x1 2x2	0.02ms~15s



OTHER HARDWARE CONFIGURATION	
Spectral Range	380-650nm (with IR-filter), for Monochromatic Camera, AR Is Used
White Balance	ROI White Balance/ Manual Temp-Tint Adjustment
Color Rendering Technique	Ultra Fine Color Engine
Capture/Control SDK	Windows/Linux/macOS/Android Multiple Platform SDK(Native C/C++, C#/VB.NET, Python, Java, DirectShow, Twain, etc);
ADC	8 Bit / 14 Bit
Recording System	Still Picture and Movie
Cooling System*	Natural
OPERATING ENVIRONMENT	
Operating Temperature	-10 °C~ 50 °C
Storage Temperature	-20 °C~ 60 °C
Operating Humidity	30~80%RH
Storage Humidity	10~60%RH
Power Supply	DC 5V over PC USB Port
SOFTWARE ENVIRONMENT	
Operating System	Support Microsoft Windows XP / Vista / 7 / 8 / 10(32 & 64 bit) OS X (Mac OS X), Linux
PC Requirements	CPU: Equal to Intel Core2 2.8GHz or Higher
	Memory: 2GB or More
	USB port: USB2.0 High-speed Port
	Display: 17" or Larger
	CD-ROM

