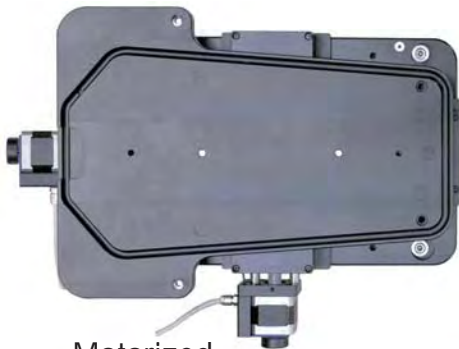


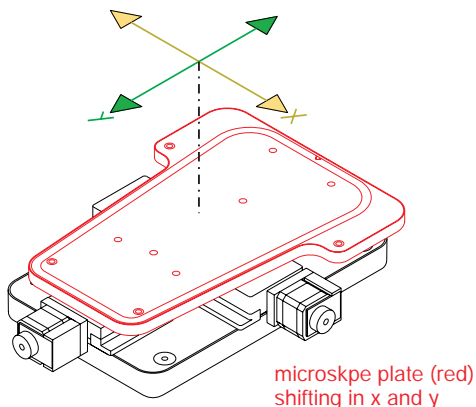
Shifting tables V240



Motorized

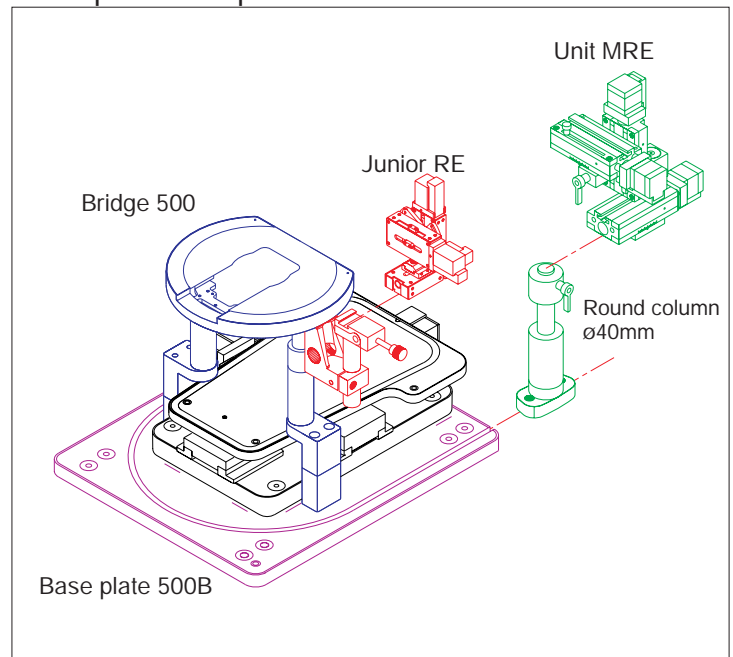


Manual



The V240 XY shifting table can be combined universally with any upright / inverted microscope in order to achieve an individual shift of XY. The microscope base is equipped with a drain channel that avoids the flooding of the mechanism with the medium, which would cause severe damage of the mechanism. The V240 can be attached to a base plate 500B or an anti-vibration table. The V240 is offered as manual and as motor driven version. It is possible to upgrade the manual version if necessary. The motor driven V240 can be moved manually with control buttons on the motor.

Example: Set Up with V240



Data:

- Traverse path X / Y..... : 25mm / 25mm
- Motor resolution..... : 4,9nm
- Reproducibility..... : < 1 µm
- Weight..... : 14kg
- Dimensions (LxBxH)..... : 456x343x83mm
- Spindle lead..... : 0,5mm per rotation

manual:

Order-No.: 250-200 200 0000

motorized

Order-No.: 250-200 200 1000