



LED 100

LED Illumination for Microscopy

Specifications

System requirements	control unit DSU-1 or TANGO controller with AUX I/O option
Colours	cool white, warm white, blue
Brightness	0–100 %, infinitely adjustable
Lumen maintenance	> 70 % after 50,000 hours
Angle of radiation	approx. 5°
Pulse interval ¹	n* 40 µs
Material	aluminium
Surface	black anodic coating
Dimensions	outer diameter: 70 mm length (without adaption): 35 mm
Weight	approx. 0.5 kg
Delivery contents	LED 100 incl. connection cable, Allen key, operating manual

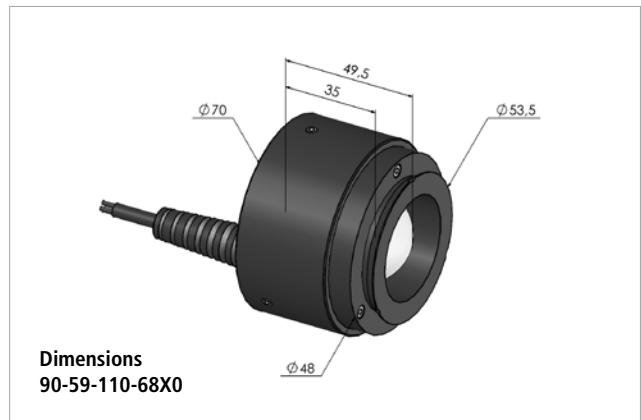
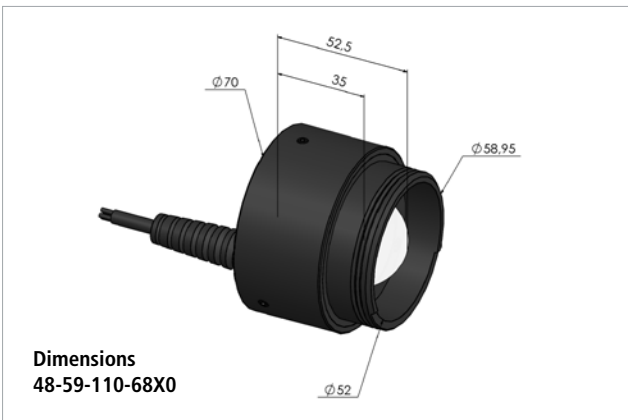
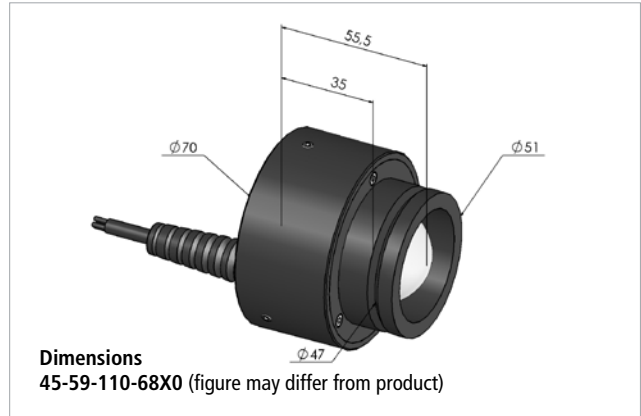
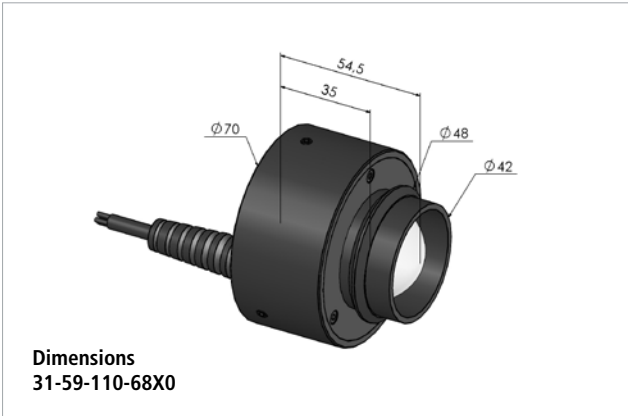
Product Features

- ▶ manual and programmed/automated change of brightness
- ▶ use as an electronic shutter unit¹: no mechanical shutter required, no warm-up time, no afterglow
- ▶ low photobleaching of preparations by flexible programmable light pulses (e.g. flash function)²
- ▶ constant colour temperature regardless of brightness
- ▶ constant brightness: no interference with the camera's video signal
- ▶ no infrared component: no IR cut filter required, contrasty and sharp images
- ▶ low heat production
- ▶ long service life, no maintenance required
- ▶ low operating costs (power input of approx. 3 W)
- ▶ RoHS compliant, halogen-free

Accessories

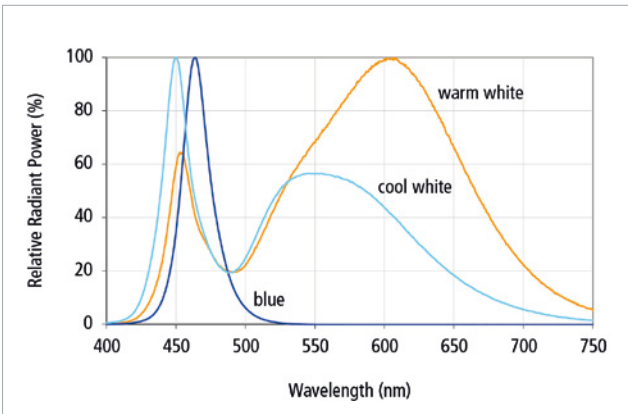
Control unit DSU-1
 Order No.: 00-76-110-6841

AUX I/O option for TANGO controllers
 Order No.: 00-76-801-0801 (Desktop/PCI-S)
 Order No.: 00-76-801-0802 (Desktop/PCI-E)



Colour Temperature	
cool white	5.000–10.000 K
warm white	2.600–3.700 K

Wavelength	
blue	465–485 nm



Order Information	
Leica (beginning with DM R series)	
cool white	31-59-110-6800
warm white	31-59-110-6810
blue	31-59-110-6820
Nikon (please indicate microscope type)	
cool white	45-59-110-6800
warm white	45-59-110-6810
blue	45-59-110-6820
Olympus (BX1/BX2/IX series)	
cool white	48-59-110-6800
warm white	48-59-110-6810
blue	48-59-110-6820
Zeiss (beginning with Axio series)	
cool white	90-59-110-6800
warm white	90-59-110-6810
blue	90-59-110-6820