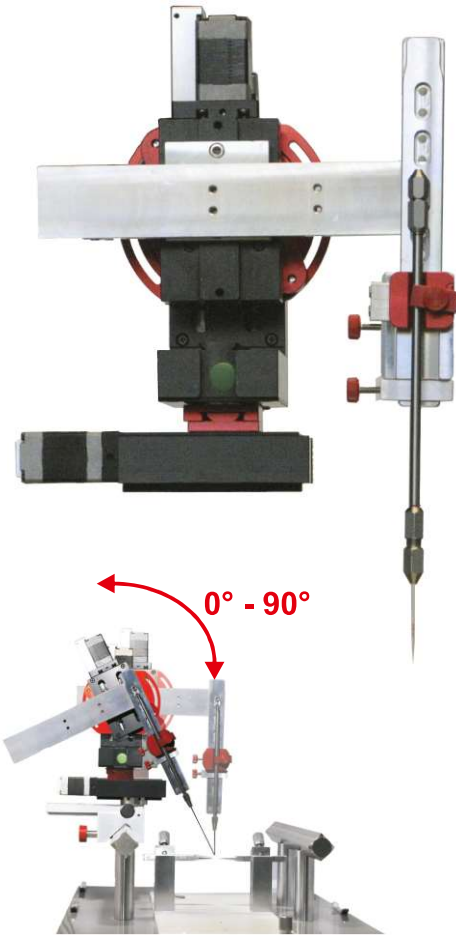




Junior 4 axes InVivo

The new development of the Junior axis has improved further in spite of the already existing excellent InVivo Unit regarding stability, freedom of drift and high resolution. By using the Junior adjustment rail, the Electrode / Headstage can be shifted at 120mm and, likewise, the angle of the Z2-Axis can be variably adjusted up to 90°.

This unit was developed with regard to the increasing requirements in the InVivo microscope and made the assembly on different stereotactical frames and for 2-P InVivo systems possible.



Data:

Traverse path	: $X_1/Y_1/Z_1/Z_2 = 22\text{mm}$
Motor resolution	: 7,8nm
Reproducibility	: $<1\mu\text{m}$
Dimension (LxBxH)	: 155-220 x 118 x 200mm
Weight	: 1,5kg
Spindle lead	: 0,4mm per rotation

Contain:

- 4x Junior 22
- 1x Junior Butterfly adapter
- 1x Junior adjustment rail
- 1x Ground set

Motorized:

Unit 4RE / 4LE-InVivo

Order-no.: 210-100 000 0085

Manual:

Unit 4RM / 4LM-InVivo

Order-no.: 210-100 000 0086

