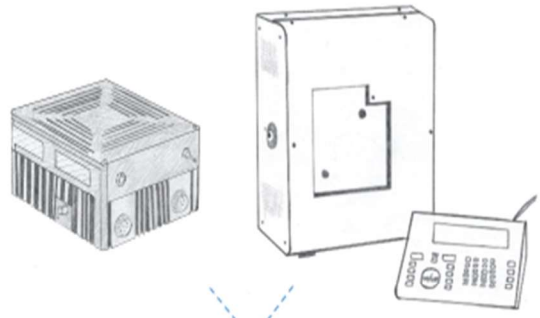


OPTOGENETIC TOOLS

HIGH POWER LED

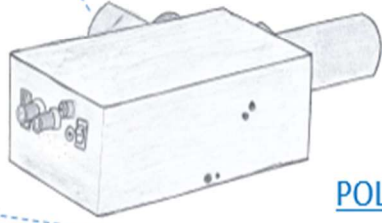


1 to 8 LEDs or 16 LEDs
TTL, Soft, Manual or Analog control

Liquid Light Guide



Photopatterning



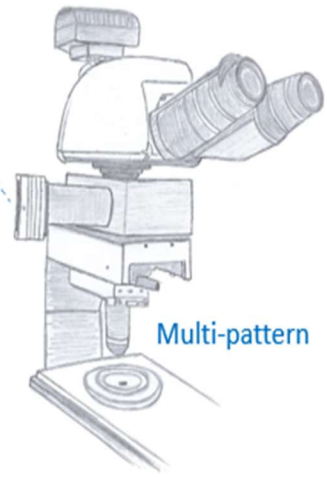
SMA or Imaging Fiber



Through your microscope

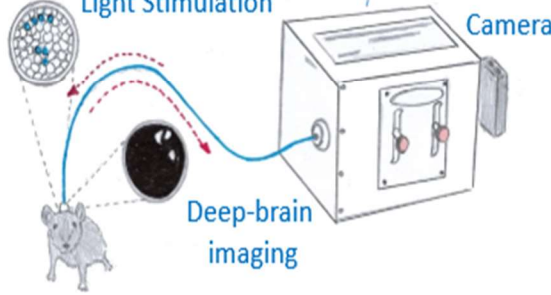


Full field



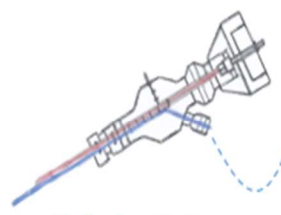
Multi-pattern

Wide-field or Patterned Light Stimulation



Deep-brain imaging

Electrode Holder



Bringing light with an electrode Holder

Use your micromanipulator to target cells

Canula

