

Large Animal Stereotaxic Instruments

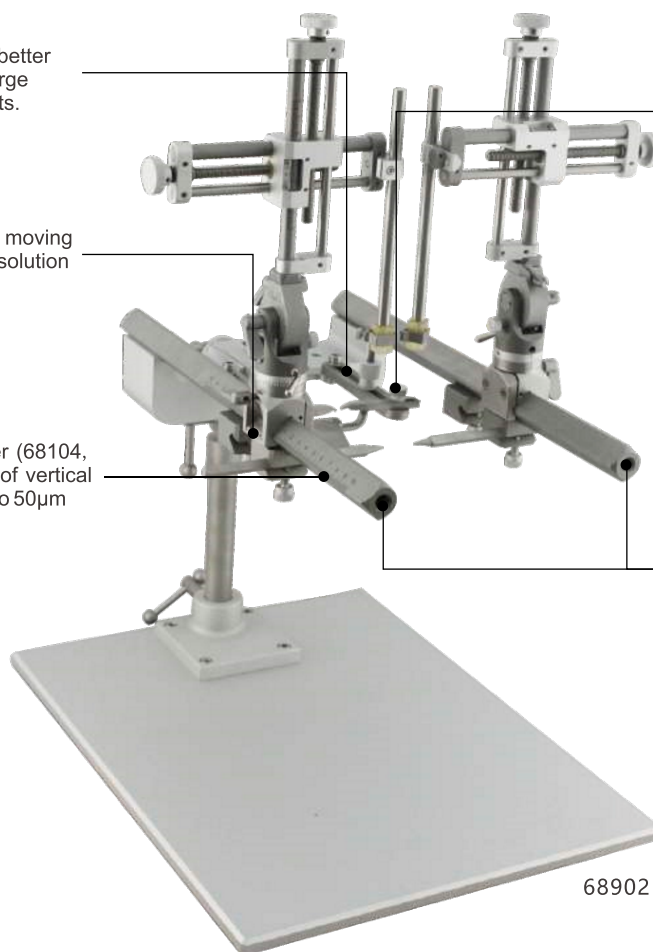
Unique jaw plate design better stabilizes the heads of large animals of varying weights.

Y-axis rail design, longer moving range: $\pm 100\text{mm}$, 1mm resolution

Combined with microdriver (68104, see P41), the resolution of vertical reading can be promoted to $50\mu\text{m}$

Adaptors are available for dogs, monkeys, pigs, and other large animals.

Holds up to six manipulator arms



68902

Composition:

68902 is a complete set of stereotaxic, containing 68868N base plate, 68941 two-dimensional manipulator - left, 68942 two-dimensional manipulator - right, 68081 dog/monkey adaptor, 68303 cat/ monkey 18 ° ear bar, 68201 standard holder; Digital version 68916 adds 68024 two-dimensional digital display module.

Order Information:

Cat No.	Product Description	Remarks
68901	Stereotaxic for Dog/Monkey, SGL M, 68081 Adaptor Incl.	
68902	Stereotaxic for Dog/Monkey, Dual M, 68081 Adaptor Incl.	
68911	Stereotaxic for Cat/Monkey, SGL M, 68041 Adaptor Incl.	
68912	Stereotaxic for Cat/Monkey, Dual M, 68041 Adaptor Incl.	
68916	Stereotaxic for Dog/Monkey, Digital, SGL M, 68081 Adaptor Incl.	
68917	Stereotaxic for Dog/Monkey, Digital, Dual M, 68081 Adaptor Incl.	
68920	Stereotaxic for Cat/Monkey, Digital, SGL M, 68041 Adaptor Incl.	
68921	Stereotaxic for Cat/Monkey, Digital, Dual M, 68041 Adaptor Incl.	
68868N	Stereotaxic Base Plate for Dog, Pig, Monkey etc.	Adaptor/ear bar see P36-41
68941	2-axis Manip for Dog/Monkey Stereotaxic, Left Hand	
68942	2-axis Manip for Dog/Monkey Stereotaxic, Right Hand	
68944	2-axis Digital Manip for Dog/Monkey Stereotaxic, Left Hand	
68945	2-axis Digital Manip for Dog/Monkey Stereotaxic, Right Hand	