

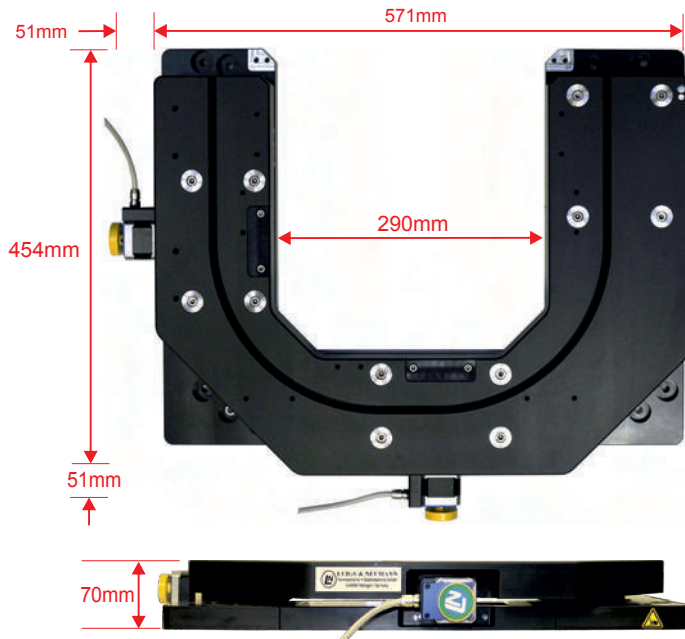


Shifting table

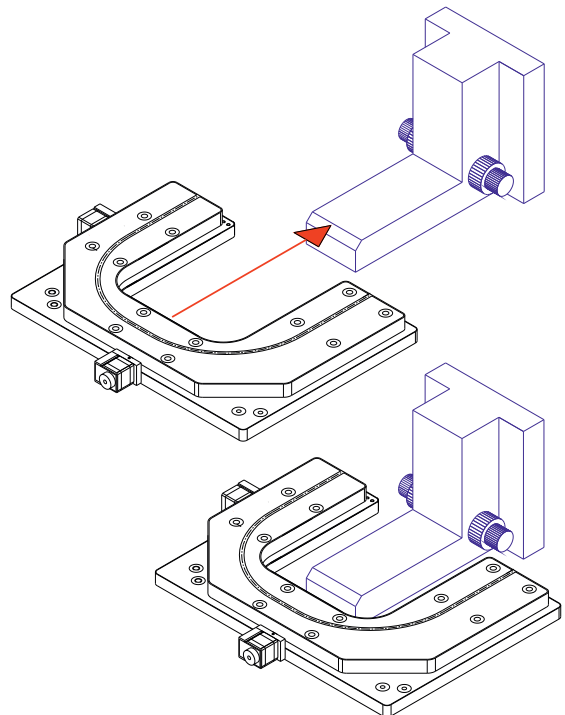
380FM-U

The 380FM-U is an enhancement of the successful 380FM-2P. Due to the new design of the 380FM-U it can be adapted to every confocal/2-photon microscope. The enlarged runners and base allow improved ergonomics with unchanged stability. Now it is possible to set up the table independently from the microscope. For maintenance purposes it is possible to remove the table without disassembling the confocal microscope. Several bridges allow a setup in combination with all existing microscopes/detectors. The motoric version can be controlled manually with the motor buttons.

The manual version can be upgraded with an motor. The software connection with USB/RS232 can be achieved with the controlsystems SM5, SM6 or SM7. We offer Windows DLL, Labview VI and Windows toolbox. Additionally several third-party suppliers offer solutions for the software integration of our system.



The 380FM- U shifting table will be mounted separate from the microscope. That allows an independent assembling of the set up.



Data:

- Traverse path X / Y..... : 25mm / 25mm
- Motor resolution..... : 4,9nm
- Reproducibility..... : < 1 μ m
- Weight..... : 23kg
- Dimensions (LxBxH)..... : ca.: 622 x 505 x 70mm
- Spindle lead..... : 0,5mm per rotation

manual V380FM-U
Order-No.: 250-300 200 4000

motorized V380FM-U
Order-No.: 250-300 200 5000

