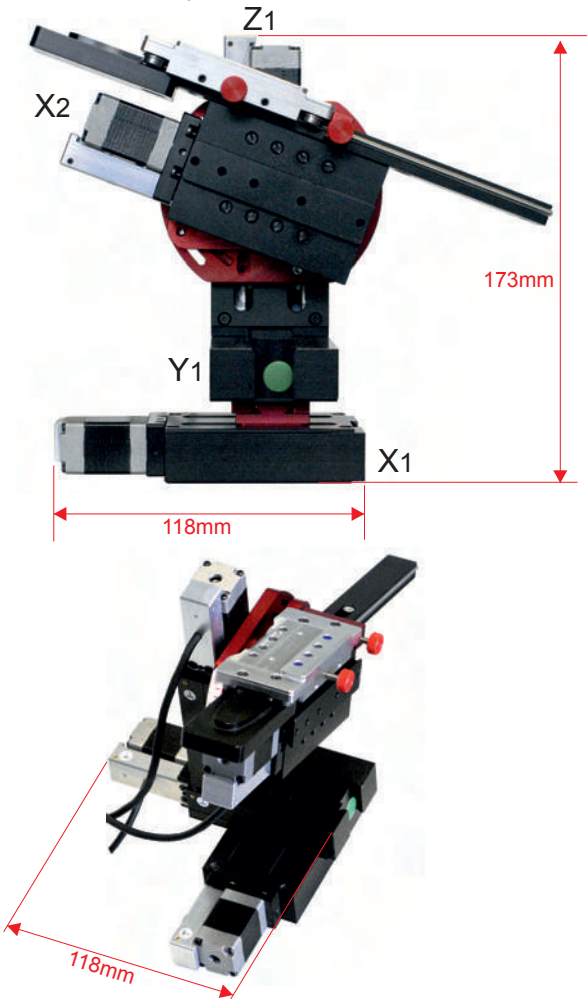




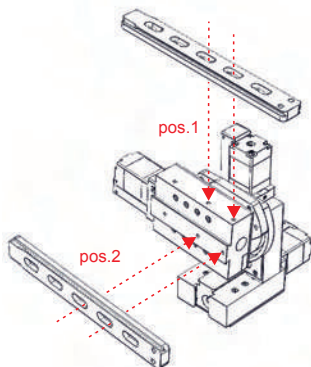
# Junior 4 axes

The LN Junior Unit consists of four junior axes, whereas X2, X1, Y1 and Z1 axis allow a movement of 22mm. This permits more compact dimensions of the unit. Due to the compact dimensions up to 8 units can be positioned around the bath chamber. The unit is available with turn and backfold adapters or fast exchange rail. This unit has been designed in order to meet the rising requirements of InVivo microscopy and it is possible to mount it directly on to the bars of a stereotactical frame. The guide rail can be mounted at Pos. 1 or laterally (pos.2) of the x axis.

Unit Junior 4LE, Option 1



Example: Unit Junior LE with Junior guide rail



### Data:

- Traverse path : X<sub>2</sub> = 22mm
- : X<sub>1</sub>/Y<sub>1</sub>/Z<sub>1</sub> = 22mm
- Motor resolution : 7,8nm
- Reproducibility : <1µm
- Dimension (LxBxH) : 118 x 118 x 173mm
- Weight : 1,3kg
- Spindle lead : 0,4mm per rotation

### Contain:

- 1x Junior 22x (X<sub>2</sub>-Axis)
- 3x Junior 22 (X<sub>1</sub>/Y<sub>1</sub>/ Z<sub>1</sub> Axis)
- 1x Junior Butterfly adapter

- Option 1: with fast exchange rail and without turn and backfold adapter
- Option 2: with turn adapter and Junior guide rail
- Option 3: with backfold adapter and Junior guide rail

Motorized:	Manual:
<b>Unit 4RE / 4LE</b>	<b>Unit 4RM / 4LM</b>
Order-no: 210-100 000 0080	Order-no: 210-100 000 0082

