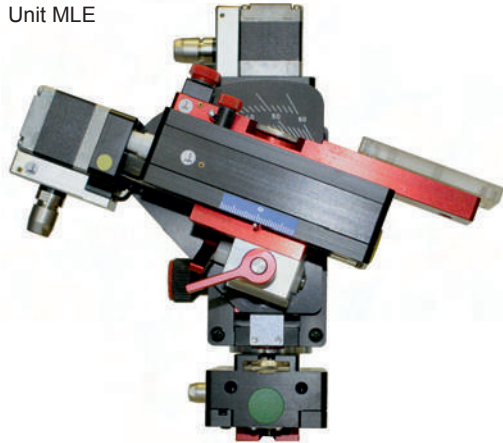


Mini 25, 3 axes

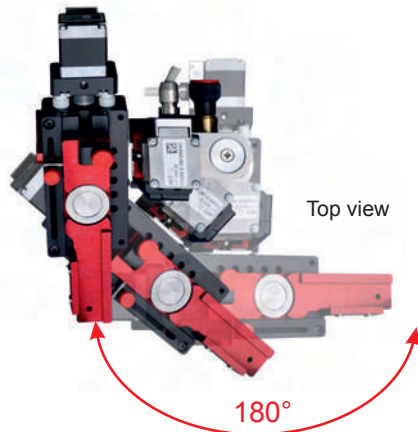
(Unit MRE/MLE and Unit MRM/MLM)

The LN Unit consists of three Mini 25 axes that are connected with the required adapters in order to form the complete unit. The design of the unit combines flexibility with stability, high resolution and freedom of drift. The patch angle of the X axis can be adjusted steplessly. All mechanical components are equipped with earthing sockets. The unit is available with turn and backfold adapters.

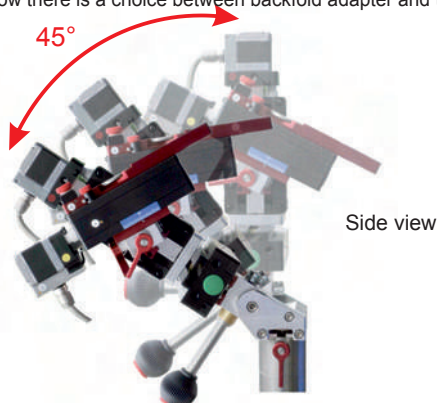
Unit MLE

**Option 1: with turnadapter-1**

The turn adapter-1 allows to turn out the Z and X axis of the unit for e.g. easy electrode exchange or easy access to the bath. A fix stop point to get back to same position.

**Option 2: with backfold adapter**

This adapter allows to fold the manipulator unit back. This adapter enables to mount up to 6 manipulators around the microscope whilst still able to exchange the electrodes during measurements. Now there is a choice between backfold adapter and turn adapter.

**Data:**

Traverse path x/y/z :	25mm, motorized
	28mm, manual
Motor resolution	: 9,8nm
Reproducibility	: <1µm
Weight	: 2,2 kg
Spindel lead	: 0,5mm per rotation

Contain:

- 3x Mini 25 Axis
- 1x Turn or Backfold adapter
- 1x Adjustment Unit
- 1x Angle clamp with scale
- 1x Headstage clamp
- 1x Ground set

Option 1: with turn adapter-1

Option 2: with backfold adapter

Motorized**Unit MRE / MLE**

Order-no.: 210-100 000 0010

Manual**Unit MRM / MLM**

Order-no.: 210-100 000 0011

